

0 10 25 50
 DORSPROFKLINIE SKAAL IN mm/
 ORIGINAL SCALE IN mm

NOTAS-NOTES

BENCHMARKS				
NAME	Y	X	LEVEL	
VELD2	61 798,459	3 447 323,695	384,12	
VELD3	61 839,275	3 447 230,404	380,06	
VELD4	61 854,241	3 447 355,186	381,06	

STORMWATER COORDINATES		
Y	X	DESCRIPTION
61874,367	3447394,861	CP1
61861,089	3447396,201	M1
61842,553	3447388,225	CP2
61838,129	3447377,886	CP3
61829,417	3447397,770	CP4
61835,335	3447385,515	M2
61814,687	3447376,484	M3
61890,066	3447374,281	CP5
61879,848	3447380,473	M4
61882,387	3447382,937	M5
61853,614	3447343,774	M6
61840,939	3447336,710	M7
61814,746	3447333,226	CP6
61815,619	3447331,153	M8
61773,674	3447312,840	M9
61761,794	3447317,239	CP7
61747,004	3447344,808	CP8
61744,329	3447343,354	M10
61738,110	3447341,075	M11
61730,550	3447360,671	M12
61703,411	3447422,800	M13
61882,978	3447421,953	HW1
61807,367	3447332,855	CP9
61798,948	3447224,641	M14
61783,149	3447221,678	DISPERSANT

B	23/10/2025	MOVE DISPERSANT STRUCTURE
A	13/08/2025	ADD CUT-OFF TRENCH
Mys	Datum	Beskrywing-Description
Rev	Date	

Pr. Ing
 Pr. Eng
 Reedsigende Ingenieur-Consulting Engineer

Datum-Date:
 Klient-Client

ASLA DEVCO

Projek-Project
 NUWERUS HOUSING PROJECT

Titel-Title
 STORMWATER DRAINAGE

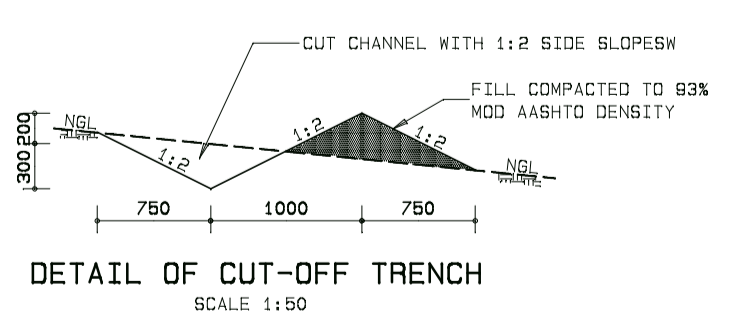
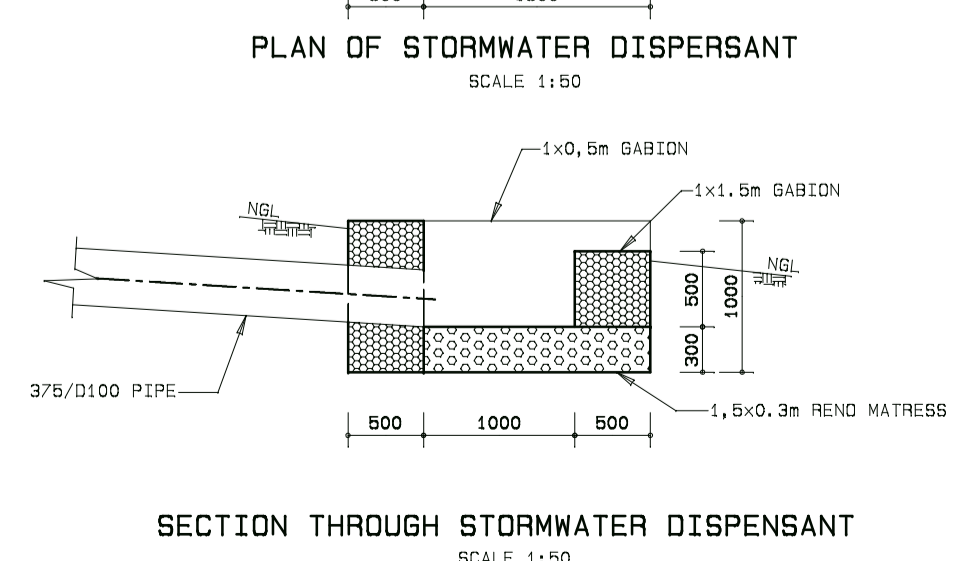
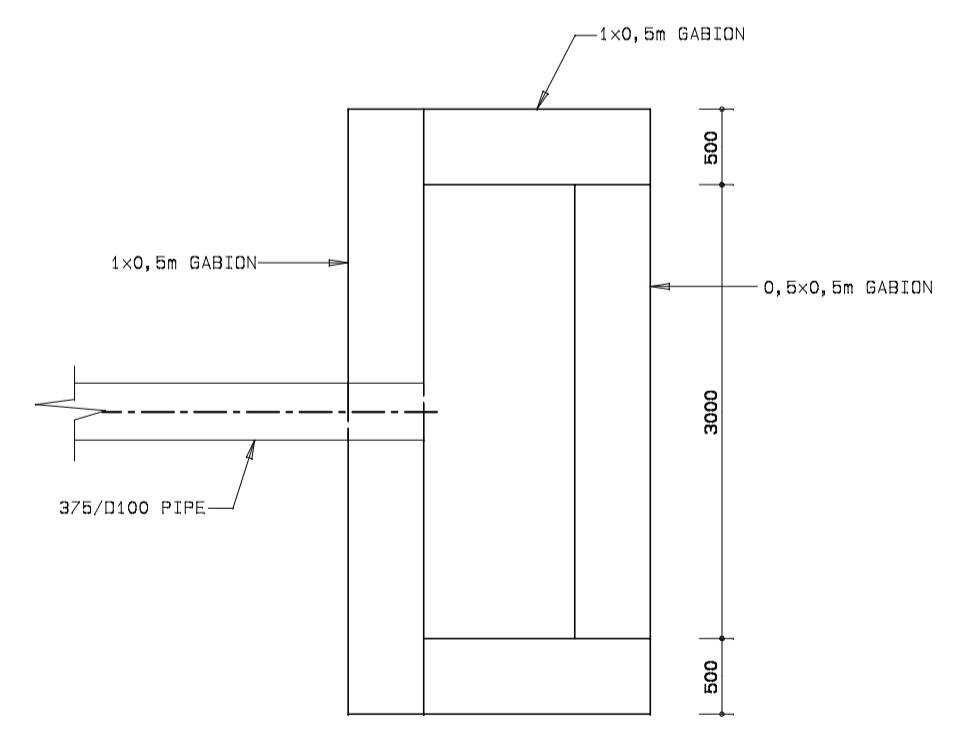
Skaal-Scale
 1:500

Datum-Date
 SEPTEMBER 2024

Tek. Nr.-Dnw. No.
UDS 640-3

Mysig. Nr.
 Rev. No.
 B

11 ELECTRON STREET
 TECHNO PARK
 STELLENBOSCH, 7600
 TEL 076 211 9882



STORMWATER LEGEND	
PROPOSED	DESCRIPTION
	DBEE TYPE STORMWATER PIPES
	GROUND LEVEL
	OUTGOING INVERT LEVEL
	MANHOLE DEPTH
	MANHOLE NUMBER
	CATCHPIT NUMBER
	SINGLE CATCHPIT
	MANHOLE